



# ACME ENGINEERING & MANUFACTURING CORP.

P.O. Box 978  
MUSKOGEE, OKLAHOMA 74402

## LIGHT TRAP ASSEMBLY INSTRUCTIONS

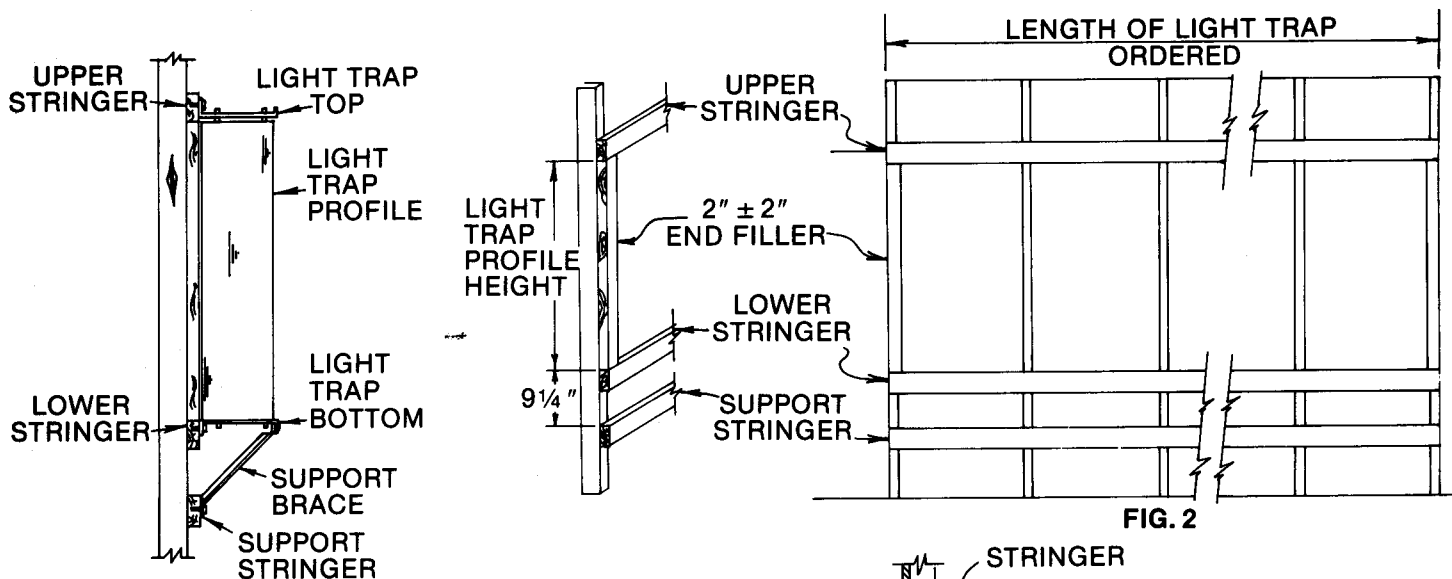
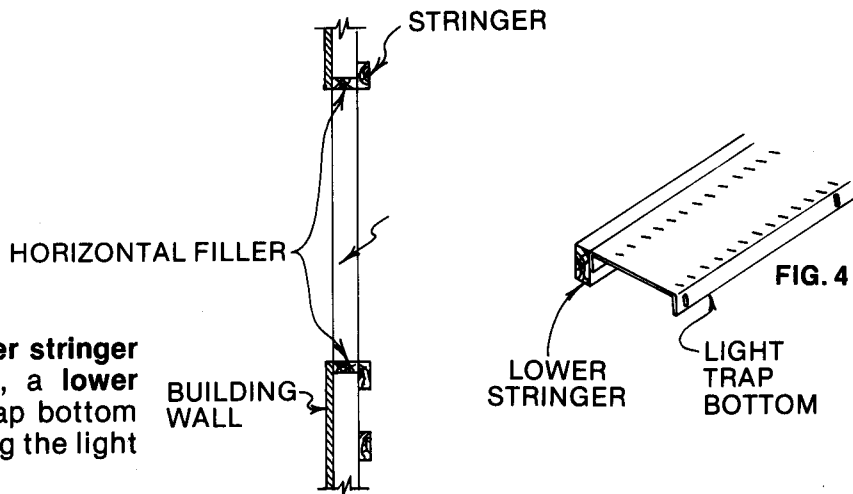


FIG. 1

FIG. 2



1. The light trap will require an **upper stringer** for mounting the light trap top, a **lower stringer** for mounting the light trap bottom and a **support stringer** for mounting the light trap support brace (Fig. 1).

2. The opening between the upper stringer and the lower stringer should be the same as the Light Trap Profile (Fig. 2). The top of the support stringer should be  $9\frac{1}{4}$ " below the top of the lower stringer when using  $2" \times 4"$  material. If  $2" \times 4"$  material is not used, the stringers should be spaced to allow  $10\frac{1}{4}$ " between the mounting points of the light trap bottom and the light trap support brace.

3. Install a  $2" \times 2"$  vertical end filler between the upper and lower stringer on each end of the light trap (Fig. 1 & 2). If the light trap is being installed on the inside of an exterior wall, a horizontal filler should be installed between the exterior wall covering and the upper and lower stringers.(Fig. 3).

4. Using the  $\frac{1}{4}" \times 1\frac{1}{2}"$  screws provided, attach the light trap bottom to the lower stringer with the top surface of the light trap bottom even with the top of the lower stringer (Fig. 4). The flange with the  $45^\circ$  slots nearest the edge should be placed away from the stringer(Fig. 4).

5. Attach the supports to the light trap bottom as shown in Fig. 1 using the  $\frac{1}{4}"$  bolts and nuts provided.

6. Level the top surface of the light trap bottom and attach the supports to the support stringer using the  $\frac{1}{4}" \times 1\frac{1}{2}"$  screws provided(Fig. 1).

7. Using the 1/4" x 1 1/2" screws provided, mount the light trap top to the upper stringer. The distance between the light trap bottom and the light trap top should be equal to the height of the Light Trap Profile plus 1/2" (Fig. 1). Place the 1/4" x 1 1/2" screw in the center of the slot to allow the light trap top to be lowered after installing the Light Trap Profile sections.

**NOTE: The top and bottom sections should be mounted so as to allow the light trap profiles to be plumb when installed.**

8. To install the Light Trap Profile, start at one end and insert the long tabs into the slots in the light trap top (See Fig. 5). Then rotate the profile until it is in a vertical position and insert the short tabs into the slots in the light trap bottom.

9. After all the profiles are installed in a section, loosen the screws holding the light trap top and lower the light trap top down onto the top surface of the Light Trap Profiles. Bend the tabs down on all profiles of each 30" or 60" section.

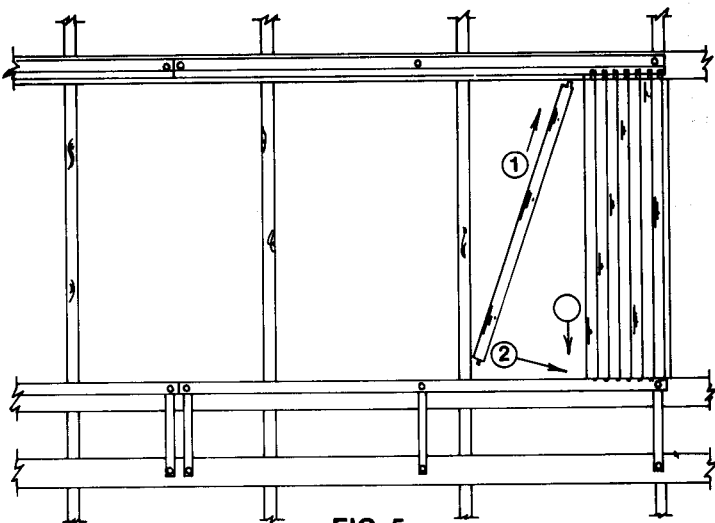


FIG. 5

10. Use caulking material to seal between the 2" x 2" filler on each end of the light trap and the first profile to ensure that no light is transmitted through this opening.

These instructions cover the usual installation, operation and maintenance methods for which the product(s) was designed. They do not purport to cover all details or variations in the product(s) nor to provide for every possible contingency that might be met in connection with the installation, operation and maintenance. For any departures from these instructions, or should particular problems arise which are not covered sufficiently for the purchaser's purpose, the matter should be referred to Acme Engineering and Manufacturing Corporation.

#### DISCLAIMER

Acme Engineering & Mfg. Corp. has made a diligent effort to illustrate and describe the products in this literature accurately; however such illustrations and descriptions are for the sole purpose of identification, and do not express or imply a warranty that the products are merchantable, of fit for a particular purpose, or that the products will necessarily conform to the illustrations or descriptions or dimensions.

#### WARNING

Acme products are designed and manufactured to provide reliable performance, but they are not guaranteed to be 100% free of defects. Even reliable products will experience occasional failures, and this possibility should be recognized by the User. If these products are used in a life support ventilation support system where failure could result in loss or injury, the user should provide adequate back-up ventilation, supplementary natural ventilation or failure alarm system, or acknowledge willingness to accept the risk of such loss or injury.

#### LIMITED WARRANTY

**WARRANTY AND DISCLAIMER:** Acme Engineering and Manufacturing Corporation extends this limited warranty to the original buyer and warrants that products manufactured by Acme shall be free from original defects in workmanship and materials for two years from date of shipment, provided same have been properly stored, installed, serviced, maintained and operated. This warranty shall not apply to products which have been altered or repaired without Acme's express authorization, or altered or repaired in any way so as, in Acme's judgement, to affect its performance or reliability, not which have been improperly installed or subjected to misuse, negligence, or accident, or incorrectly used in combination with other substances. The buyer assumes all risks and liability for results of use of the products. Warranties on purchased parts, such as electric motors and controls, are limited to the terms of warranty extended by our supplier.

**POLYETHYLENE TUBING:** Polyethylene tubing is warranted to be free of defects in material and workmanship for a period of 90 days from date of shipment and a like warranty applies to the cross fluted cellular type cooling cells for a period of two years from date of shipment provided same have been properly handled, stored, installed, serviced, maintained and operated, and further, not subjected to excessive heat, corrosive agents or chemicals or mechanical abuse that may cause tearing, crushing or undue deterioration, nor use on a system or in a manner other than that for which it was designed as explained in the product literature.

**LIMITATION OF REMEDY AND DAMAGES:** All claims under this warranty must be made in writing and delivered to Acme Engineering & Manufacturing Corporation, Box 978, Muskogee, Oklahoma 74402, within 15 days after discovery of the defect

and prior to the expiration of two years from the date of shipment by Acme of the product claimed defective and Buyer shall be barred from any remedy if Buyer fails to make such claim within such period.

Within 30 days after receipt of a timely claim, Acme shall have the option either to inspect the product while in Buyer's possession or to request Buyer to return the product to Acme at Buyer's expense for inspection by Acme. Acme shall replace, or at its option repair, free of charge, any product it determines to be defective, and it shall ship the repaired or replacement product to Buyer F.O.B. point of shipment; provided, however, if circumstances are such as in Acme's judgement to prohibit repair or replacement to remedy the warranted defects, the buyer's sole and exclusive remedy shall be a refund to the buyers of any part of the invoice price, paid to Acme, for the defective product or part.

Acme is not responsible for the cost of removal of the defective product or part, damages due to removal, or any expenses incurred in shipping the product or part to or from Acme's plant, or the installation of the repaired or replaced product or part.

Implied warranties, when applicable, shall commence upon the same date as the express warranty provided above, and shall, except for warranties of title, extend only for the duration of the express warranty. Some states do not allow limitations on how long an implied warranty lasts, so the above limitation may not apply to you. The only remedy provided to you under an applicable implied warranty and the express warranty shall be the remedy provided under the express warranty, subject to the terms and conditions contained therein. Acme shall not be liable for incidental and consequential losses and damages under the

express warranty, any applicable implied warranty, or claims of negligence, except to the extent that this limitation is found to be unenforceable under applicable state law. Some states do not allow the exclusion or limitation of incidental or consequential damages, so the above limitation or exclusion may not apply to you. This warranty gives you specific legal rights and you may also have other rights which vary from state to state.

No employee, agent, dealer, or other person is authorized to give any warranties on behalf of Acme or to assume for Acme any other liability in connection with any of its products except in writing and signed by an officer of Acme.

**TECHNICAL ADVICE AND RECOMMENDATION. DISCLAIMER:** Notwithstanding any past practice or dealings or any custom of the trade, sales shall not include the furnishing of technical advice or assistance or system design. Any such assistance shall be at Acme's sole option and may be subject to additional charge.

Acme assumes no obligation or liability on account of any recommendations, opinions or advice as to the choice, installation or use of products. Any such recommendation, opinions or advice are given and shall be accepted at your own risk and shall not constitute any warranty or guarantee of such products or their performance.