



# OWNERS MANUAL & INSTALLATION INSTRUCTIONS

## PUMP TANK KIT

### TANK INSTALLATION

The inline tank kit for the PDRP and PDRPORT systems should be mounted with the center of the tank 12 inches from the end of the Kool Cel system gutter. If the tank is to be installed in the center of two systems, the ends of the gutters should be mounted 24 inches apart as shown in Figure 1.

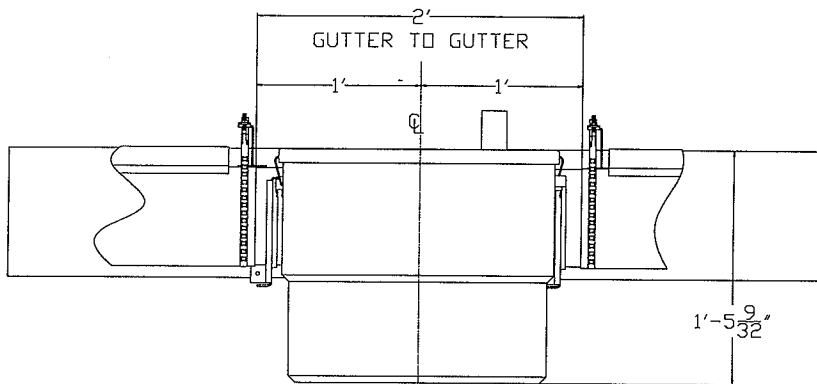
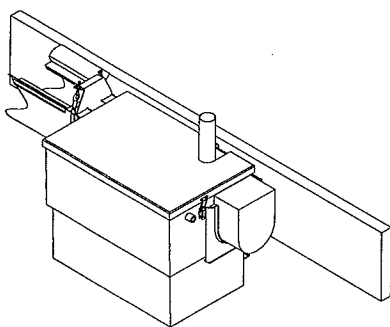


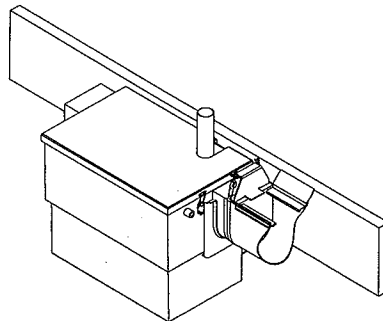
FIGURE 1

Prior to installation of the tank, the gutter of the Kool Cel system should be installed. A tank can be installed into either end of the system but the open end of the tank must be specified when ordered. The open end is specified as shown in the following Figure 2, 3 or 4. Tanks are available with the left end open, right end open or both ends open.



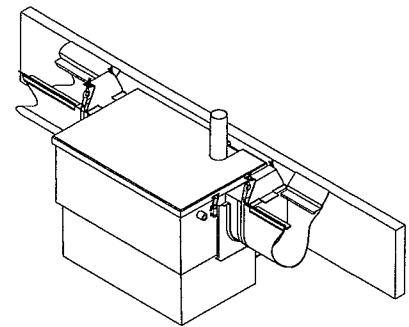
LEFT END OPEN

FIGURE 2



RIGHT END OPEN

FIGURE 3



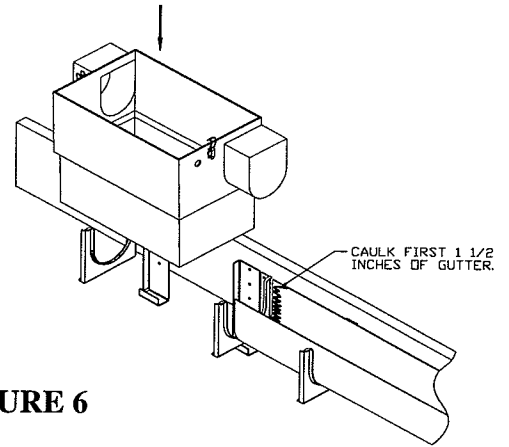
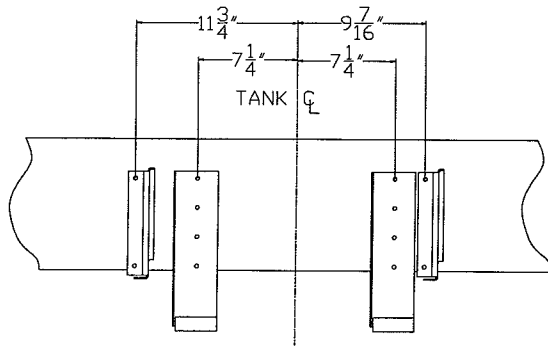
BOTH ENDS OPEN

FIGURE 4

### MOUNTING BRACKET INSTALLATION

Install two gutter brackets (supplied with tank kit) as shown in FIGURE 5 at the same height as the gutter brackets of the Kool Cel system. Install two wall brackets as shown in FIGURE 5.

**FIGURE 5**

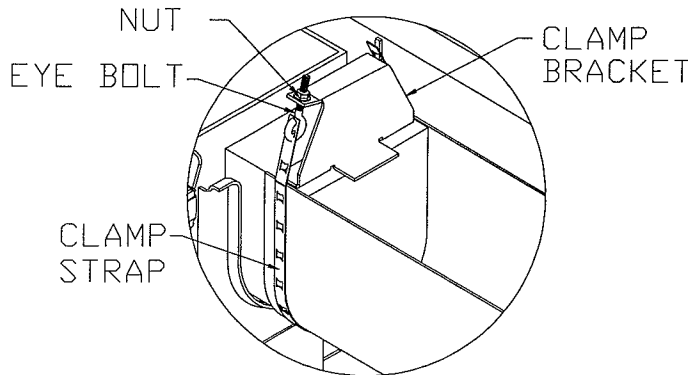


**FIGURE 6**

Note: The top of the wall brackets should be the same height as the top of the gutter brackets.

**TANK INSTALLATION**

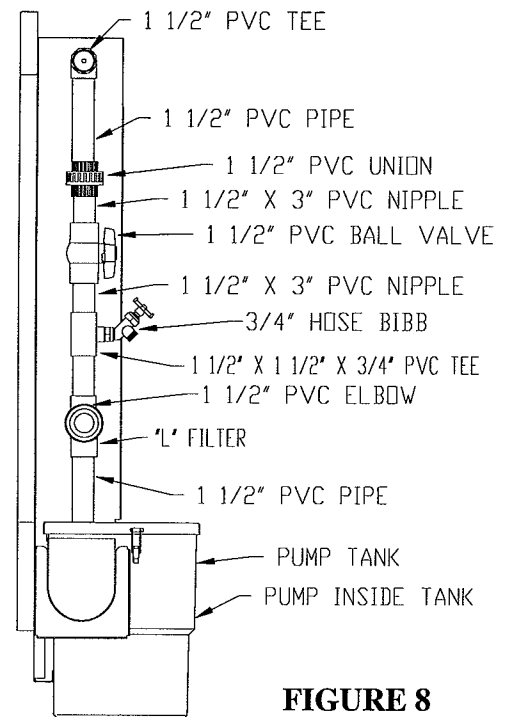
Start the installation of the tank by caulking the first 1 1/2 of the gutter as shown in FIGURE 6. Set the tank down into the gutter brackets that are to support the tank and into the gutter as shown in FIGURE 6. Locate the clamp bracket, eye bolt, nut and banding strap as shown in FIGURE 7. Set the clamp bracket on the top of the portion of the tank that is in the gutter as shown in FIGURE 7. Install the eye bolt and nut in the hole in the clamp bracket as shown in FIGURE 7. Place one end of the clamp strap on the tab of the clamp bracket and pull the clamp strap tight around the gutter as shown in FIGURE 7. Cut the clamp strap to the proper length as shown in FIGURE 7 and insert the end of the clamp strap into the opening of the eye bolt. Tighten the eye bolt.



**FIGURE 7**

**PLUMBING COMPLETER KIT INSTALLATION (OPTIONAL)**

A complete plumbing completer kit is available through your distributor. Extra items are included in this kit so that one kit may fit all installations. The basic plumbing installation is as shown at the right in Figure 8. A screen should be installed on the discharge of the gutter to catch any large debris and to avoid clogging the filter. Refer to the plumbing completer kit for installation of pumps that are non submersible. The installation shown in Figure 8 is for a submersible pump located in the tank.



**FIGURE 8**

**INSTALLATION OF A DUAL SYSTEM**

Two systems can be connected to the tank using the method shown in Figure 1. Install the two Kool Cel as shown in Figure 6.

## TERMS AND CONDITIONS

**DESIGN CHANGES** Acme reserves the right to make changes in design, improvements and additions in and to its products any time without imposing any liability or obligations to itself to apply or install the same in any product manufactured by it.

**TITLE** The title and right of possession of the equipment sold herein shall remain with the Company and such equipment shall remain personal property until all payments herein (in-

cluding deferred payments whether evidenced by notes or otherwise) shall have been made in full in cash and the Purchaser agrees to do all acts necessary to perfect and maintain such right and title in the Company.

**SAFETY ACCESSORIES** The Company manufactures equipment designed to serve multiple applications and offers a wide range of safety equipment, including guards and other devices, as may be required to meet customer specifica-

tions. Without exception, the Company recommends that all orders include applicable safety devices. Equipment ordered without applicable safety devices is clearly the responsibility of the Purchaser. Further, the Purchaser warrants that he has determined and acquired any and all safety devices required for equipment sold by the Company. Weather covers and guards for motor and V-belt drives, couplings, shafts and bearings, along with inlet and outlet screens, are optional accessories noted in the price list.

These instructions cover the usual installation, operation and maintenance methods for which the product(s) was designed. They do not purport to cover all details or variations in the product(s) nor to provide for every possible contingency that might be met in connection with the installation, operation and maintenance. For any departures from these instructions, or should particular problems arise which are not covered sufficiently for the purchaser's purpose, the matter should be referred to the Company.

**WARNING** Acme products are designed and manufactured to provide reliable performance but they are not guaranteed to be 100% free of defects. Even reliable products will experience occasional failures and this possibility should be recognized by the User. If these products are used in a life support ventilation system where failure could result in loss or injury, the User should provide adequate back-up ventilation, supplementary natural ventilation or failure alarm system, or acknowledge willingness to accept the risk of such loss or injury.

**WARNING DO NOT** use in HAZARDOUS ENVIRONMENTS where fan's electrical system could provide ignition to combustible or flammable materials unless unit is specifically built for hazardous environments.

**CAUTION** Guards must be installed when fan is within reach of personnel or within seven (7) feet (2.134 m) of working level or when deemed advisable for safety.

**DISCLAIMER** The Company has made a diligent effort to illustrate and describe the products in this literature accurately; however, such illustrations and descriptions are for the sole purpose of identification, and do not express or imply a warranty that the products are merchantable, or fit for a particular purpose, or that the products will necessarily conform to the illustrations or descriptions or dimensions.

## LIMITED WARRANTY

**WARRANTY AND DISCLAIMER:** Acme Engineering and Manufacturing Corporation extends this limited warranty to the original buyer and warrants that products supplied by the Company, shall be free from original defects in workmanship and materials for two years from date of shipment (except for the warranty periods noted for products in the paragraph immediately following), provided same have been properly handled, stored, installed, serviced, maintained and operated. This warranty shall not apply to products which have been altered or repaired without the Company's express authorization, or altered or repaired in any way so as, in the Company's judgment, to affect its performance or reliability, nor which have been improperly installed or subjected to misuse, negligence, or accident, or incorrectly used in combination with other substances. Evaporative cooling pads are warranted to be free of defects in materials and workmanship for a period of two years from date of shipment provided same have been properly handled, stored, installed, serviced, maintained and operated; and further, not subjected to excessive heat, corrosive agents or chemicals, or mechanical abuse that may cause tearing, crushing or undue deterioration, nor used on a system or in a manner other than that for which it was designed as explained in the product literature. The Buyer assumes all risks and liability for results of use of all products.

Acme's exclusive duplex split pillow block bearings and shaft are warranted to be free of defects in materials and workmanship for a period of five years from date of shipment. Belts are warranted to be free of defects in materials and workmanship for a period of one year from date of shipment. Polyethylene tubing is warranted to be free of defects in materials and workman-

ship for a period of 90 days from date of shipment.

**LIMITATION OF REMEDY AND DAMAGES:** All claims under this warranty must be made in writing and delivered to P. O. Box 978, Muskogee, Oklahoma, 74402, within 15 days after discovery of the defect and prior to the expiration of two years from the date of shipment by the Company of the product claimed defective, and Buyer shall be barred from any remedy if Buyer fails to make such claim within such period.

Within 30 days after receipt of a timely claim, the Company shall have the option either to inspect the product while in Buyer's possession or to request Buyer to return the product to the Company at Buyer's expense for inspection by the Company. The Company shall replace, or at its option repair, free of charge, any product it determines to be defective, and it shall ship the repaired or replacement product to Buyer F.O.B. point of shipment; provided, however, if circumstances are such as in the Company's judgment to prohibit repair or replacement to remedy the warranted defects, the Buyer's sole and exclusive remedy shall be a refund to the Buyer of any part of the invoice price, paid to the Company, for the defective product or part.

The Company is not responsible for the cost of removal of the defective product or part, damages due to removal, or any expenses incurred in shipping the product or part to or from the Company's plant, or the installation of the repaired or replaced product or part.

Implied warranties, when applicable, shall commence upon the same date as the express warranty provided above, and shall, except for warranties of title, extend only for the duration of the express warranty. Some states do not allow limitations on how long an implied warranty lasts, so the above limitation may not apply to you. The only remedy provided to you under an applicable implied warranty and the express warranty shall be the remedy provided under the express warranty, subject to the terms and conditions contained therein. The Company

shall not be liable for incidental and consequential losses and damages under the express warranty, any applicable implied warranty, or claims for negligence, except to the extent that this limitation is found to be unenforceable under applicable state law. Some states do not allow the exclusion or limitation of incidental or consequential damages, so the above limitation or exclusion may not apply to you. This warranty gives you specific legal rights, and you may also have other rights which vary from state to state.

No employee, agent, dealer, or other person is authorized to give any warranties on behalf of the Company or to assume for the Company any other liability in connection with any of its products except in writing and signed by an officer of the Company.

**REPLACEMENT PARTS** If replacement parts are ordered, buyer warrants that the original components in which these replacement parts will be placed are in satisfactory working condition, and when said replacement parts are installed, the resultant installation will operate in a safe manner, at speeds and temperatures for which the original equipment was purchased.

**TECHNICAL ADVICE AND RECOMMENDATIONS, DISCLAIMER:** Notwithstanding any past practice or dealings or any custom of the trade, sales shall not include the furnishing of technical advice or assistance or system design. Any such assistance shall be at the Company's sole option and may be subject to additional charge.

The Company assumes no obligation or liability on account of any recommendations, opinions or advice as to the choice, installation or use of products. Any such recommendations, opinions or advice are given and shall be accepted at your own risk and shall not constitute any warranty or guarantee of such products or their performance.

**GENERAL** In no event shall any claim for consequential damages be made by either party. The Company will comply with all applicable Federal, State, and local laws.



**ACME ENGINEERING AND  
MANUFACTURING CORPORATION**  
P.O. Box 978  
Muskogee, Oklahoma 74402  
Telephone 918/682-7791  
Fax 918/682-0134