



ACME ENGINEERING & MANUFACTURING CORP.

P.O. Box 978, Muskogee, OK 74402

Phone: 918/682-7791 Fax: 800/382-2263

www.acmeag.com e-mail: acmeag@acmefan.com

www.acmehort.com e-mail: acmehort@acmefan.com

COOLING

KOOL-CEL[®] CTC, OTC, CTPP & OTPP

**ACME EVAPORATIVE COOLING SYSTEMS
FOR 6 INCH PADS**



FEATURES

- UV PROTECTED GUTTER
- EASY INSTALLATION
- LOW MAINTENANCE
- STAINLESS STEEL TOP
- NO ADDITIONAL WATER STORAGE TANK
- SYSTEM SEALS TO BUILDING - NO ADDITIONAL PARTS

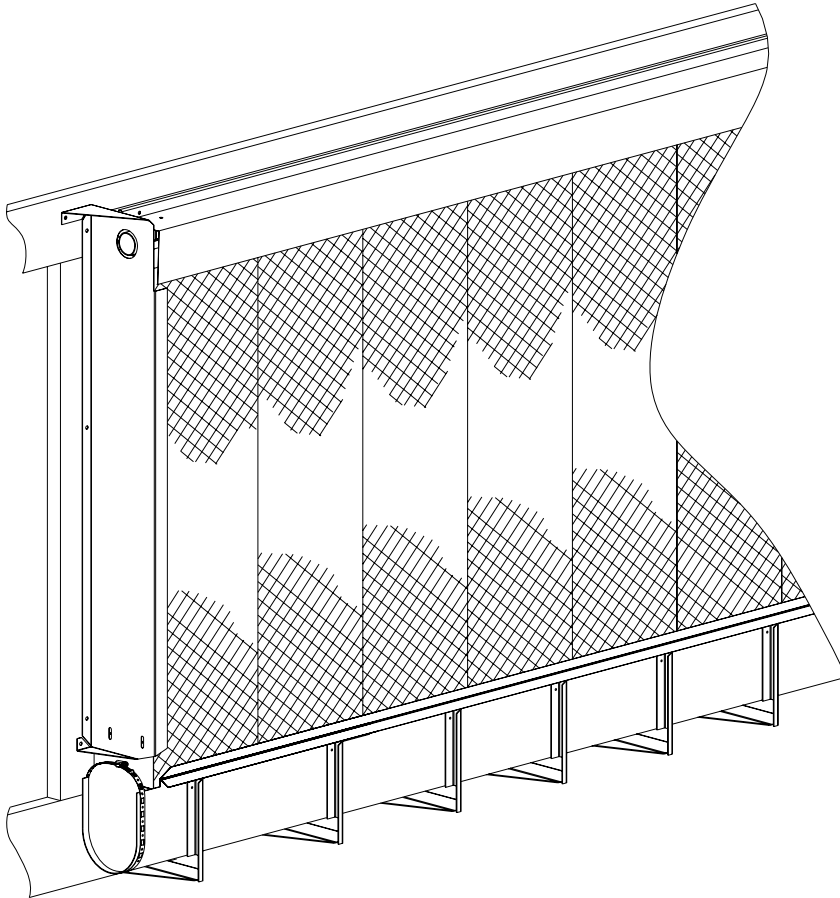
DESCRIPTION

Acme's Kool-Cel Systems provide a rugged PVC and Stainless Steel housing for the Evaporative Cooling Pads. The Acme Evaporative Cooling Systems offer the optimal in installation ease and maintenance. Gutters with UV protection will give many years of trouble free operation. ACME offers two unique top systems with two unique gutters. All systems are interchangeable. The Closed Top System or Open Top System will work with either the Continuous Gutter or 8" PVC Pipe Gutter. Both gutter systems are designed to seal against the building without the addition of furring strips or flashing. Gutter supports are heavy gauge galvanized and all fasteners are stainless steel or hot dipped galvanized. Heavy gauge aluminum end caps are available.

CLOSED TOP SYSTEM

- PAD TOP ENCLOSED
- STAINLESS STEEL TOP
- HEAVY GAUGE ALUMINUM END CAPS
- PADS SECURELY HELD TO BUILDING

The Closed Top System is designed to keep debris from entering the top of the Kool-Cel System. This top can be used with either the Continuous Gutter shown below or the 8-inch PVC Pipe System on the next page.



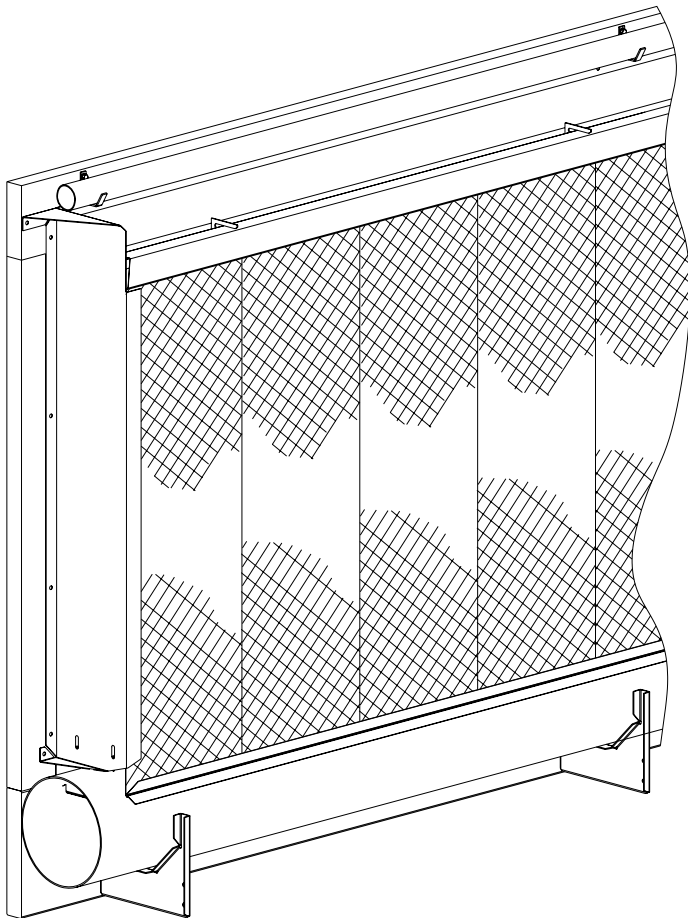
CONTINUOUS GUTTER

- BLACK GEO-MEMBRANE MATERIAL
- EASY TO INSTALL
- FLEXIBLE
- NO SEAMS
- SNAP IN PVC PAD SUPPORT WITH DRIP LEDGE
- REMOVABLE END CAP FOR EASY CLEAN OUT

The gutter is a heavy gauge geo-membrane material supplied in one piece. The removable clamped-on ends allow for easy gutter cleaning. The black color minimizes algae growth and has UV inhibitors. All pad weight is supported by the heavy galvanized wall brackets not the gutter material. The sump tank is attached directly to the end of the gutter. Fasteners supplied with the continuous gutter are either hot dipped galvanized steel or stainless steel.

OPEN TOP SYSTEM

- VISIBLE DISTRIBUTION PIPE
- STAINLESS STEEL TOP
- HEAVY GAUGE ALUMINUM END CAPS
- EASY MAINTENANCE
- PADS SECURELY HELD TO BUILDING



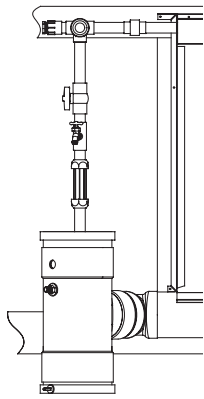
The new Open Top System allows for easy inspection of the Water Distribution System. Any clogged hole can be cleaned without major system disassembly. This Open Top System can be used either with the 8-inch PVC Pipe System shown below or with the Continuous Gutter System shown on the previous page.

8 INCH PVC PIPE GUTTER

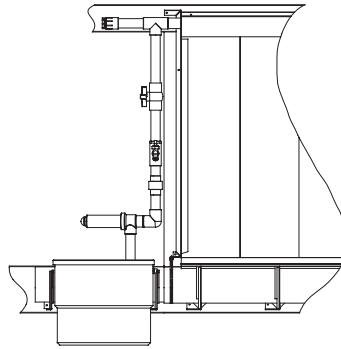
- UV PROTECTED
- EASY TO INSTALL
- SNAP IN PVC PAD SUPPORT WITH DRIP LEDGE
- PIPE IS PRE-MARKED FOR EASY CUT OUT
- REMOVABLE END CAP FOR EASY CLEAN OUT

The 8-inch pipe gutter is supplied in 5' and 10' lengths, pre-marked for the pad cutout. The pads are supported by PVC pad supports that snap directly into the 8" pipe gutter. Heavy galvanized brackets hold the pipe to the house wall. The sump pump is located in a 12" PVC "T" section connected to the end of the 8" pipe. The fasteners needed to mount the gutter are hot dipped galvanized lag bolts supplied with the assembly.

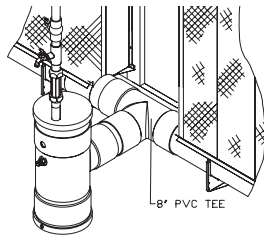
PLUMBING COMPLETER KITS



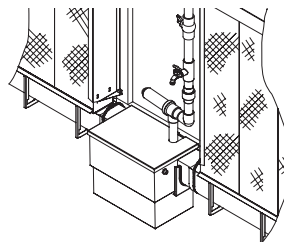
Standard "T" Tank



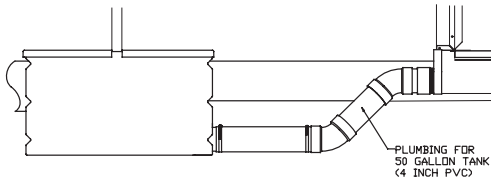
Tank Shown with Right End Open



Optional 8-Inch "T" Adaptor



Tank Shown with Both Ends Open



50-Gallon Tank with Plumbing Adaptor

PUMPS

Size	Voltage	HP	Capacity 10' Head	Capacity 15' Head
10S	115	1/6	16 GPM	13 GPM
15S	115	3/10	29 GPM	12 GPM
30S	115 or 230	1/3	45 GPM	33 GPM
60S	115 or 230	1/2	67 GPM	52 GPM
90S	230	3/4	84 GPM	75 GPM
LPS07	115 or 230	3/4	58 GPM	53 GPM

WATER VALVES

STANDARD
HIGH VOLUME

ORDER INFORMATION

CONTINUOUS GUTTER

1. Specify Length - 5 to 80 feet in 1 foot increments
2. Specify Tank - left, right, or both open, or 50 gal.
3. Specify Pump - size and voltage
4. Specify Water Valve
5. Specify Endcovers - pad height

8-INCH PIPE GUTTER

1. Specify Length - 5 to 80 feet in 1 foot increments
2. Specify Tank - "T" type or 50 gal
3. Add T Adaptor if needed
4. Specify Water Valve
5. Specify Pump - size and voltage
6. Specify End Covers - pad height

LIMITED WARRANTY Acme Engineering and Manufacturing Corporation extends this limited warranty to the original purchaser and warrants that products described herein shall be free from original defects in workmanship and materials for two years from date of shipment (except for Acme's exclusive duplex split pillow block bearings and shaft 5 years from shipment, belts one year from shipment, and polyethylene tubing at 90 days from shipping, AIR40 Heater warranty one year from date of shipment, AIR40 Emitter warranty three years from date of shipment and DDP fan lifetime warranty on its propeller, cone, and housing), provided same have been properly handled, stored, installed, serviced, maintained and operated. Refer to Form MS149 for complete limited warranty terms and conditions. This form is available to anyone at www.acmefan.com. The Company's warranty is in lieu of all other warranties, express or implied, arising by law or otherwise, including without limitation the implied warranties of

merchantability and fitness for a particular purpose, which are hereby expressly disclaimed and waived.

Acme products are designed and manufactured to provide reliable performance but they are not guaranteed to be 100% free of defects. Even reliable products will experience occasional failures and this possibility should be recognized by the Purchaser and End User. If these products are used in a life support ventilation system where failure could result in loss or injury, the Purchaser and End User should provide adequate back-up ventilation, supplementary natural ventilation or failure alarm system, or acknowledge willingness to accept the risk of such loss or injury.

WARNING DO NOT use in HAZARDOUS ENVIRONMENTS where fan's electrical system could provide ignition to combustible or flammable materials unless unit is specifically built for hazardous environments. Comply with all local and national safety codes including the National Electrical Code (NEC) and National

Fire Protection Act (NFPA). Guards must be installed when fan is within reach of personnel or within seven (7) feet (2.134 m) of working level or when deemed advisable for safety.

DISCLAIMER The Company has made a diligent effort to illustrate and describe the products in this literature accurately; however, such illustrations and descriptions are for the sole purpose of identification, and do not express or imply a warranty that the products are merchantable, or fit for a particular purpose.

INDEMNITY Purchaser acknowledges various warnings by the Company regarding the products and its installation and use. If the Company incurs any claims, lawsuits, settlements, or expenses (including attorney fees) for any loss, injury, death or property damage including, but not limited to, claims arising out of the Purchaser's or any end user's installation or use of the products, the Purchaser shall indemnify and hold the Company harmless.



ACME ENGINEERING & MANUFACTURING CORP.

P.O. Box 978, Muskogee, Oklahoma 74402
Telephone: 918-682-7791 Fax: 918-682-0134
www.acmeag.com e-mail: acmeag@acmefan.com
www.acmehort.com e-mail: acmehort@acmefan.com

Member Air Movement and Control Association International, Inc.

July 2005

Form B209B