



**ACME ENGINEERING & MANUFACTURING CORP.**  
P.O. Box 978  
Muskogee, OK 74402  
Phone: 918/682-7791  
Fax: 918-682-0134  
www.acmefan.com

# Shutter-Mounted Exhaust Fan

## Model SMF



Easy-to-install, efficient exhaust fans have automatic shutters. Heavy-duty guards have gray polyester coating to resist corrosion. Mounting holes in shutter frame allow easier installation. Guards comply with OSHA regulations.

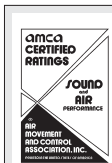
- Totally enclosed, sleeve or ball bearing 115V, 60 Hz motors
- Shipped completely assembled

### Performance

Model	Propeller Dia. (In.)	CFM Air Delivery			Motor RPM	HP	Sones 5 Ft. 0" SP
		0.0" SP	0.125" SP	0.250" SP			
SMF07-SC	7	140	—	—	1550	1/30	4.8
SMF10-SC	10	585	285	—	1550	1/30	6.6
SMF12-SC	12	800	470	—	1550	1/30	7.6
SMF16-SC	16	1095	720	—	1550	1/20	8.0
SMF18-SC	18	1860	850	—	1075	1/15	8.4
SMF20-SC	20	2830	2255	1235	1075	1/4	11.3
SMF24-SC	24	3240	2485	1110	1075	1/4	11.7
SMF18	18	2590	2190	1705	1725	1/4	14.3
SMF20E1	20	2955	2450	1960	1725	1/4	14.4
SMF20F	20	3635	3115	2760	1725	1/3	16.9
SMF24E	24	3270	2515	1205	1075	1/4	10.7
SMF24F	24	3970	3240	1900	1075	1/3	12.1
SMF20E2	20	2985	2445	1965	1725	1/4	14.3
SMF30	30	6075	4195	2150	825	1/3	13.5
SMF36	36	8225	6480	2935	825	1/2	14.7
SMF24-2S	24	3985/3760	3255/2995	1950/1563	1075/1000	1/3	11.8/11.3

Performance certified is for installation Type A, Free Inlet, Free Outlet. Speed (RPM) shown is nominal. Performance is based on actual speed of test. Performance ratings include the effects of guard and shutter. The sound rating shown are loudness values in fan sones at 5 ft. (1.5mm) in a hemispherical-free calculated per AMCA Standard 301. Values shown are for installation Type A, Free Inlet and Fan sone levels.

SC models are speed controllable; 2S models have 2 speed motors

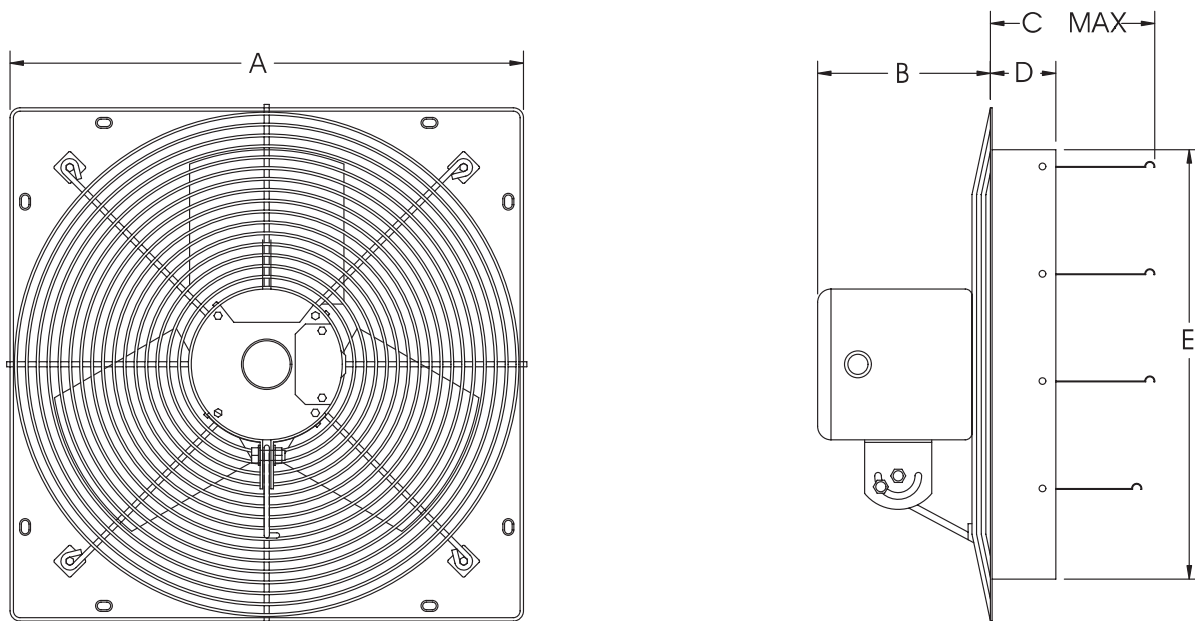


Acme Engineering & Manufacturing Corporation certifies that the ventilators shown herein are licensed to bear the AMCA seal. The ratings shown are based on tests and procedures performed in accordance with AMCA Publication 211 and AMCA Publication 311 and comply with the requirements of the AMCA Certified Ratings Program.



Consult your Acme representative for availability.

# Dimensions



Model	Fan Size	A (sq.)	B Max	C	D	E
SMF07	7"	11 1/8"	4 15/16"	6"	2 3/8"	8"
SMF10	10	13 1/8"	5 9/16"	5 1/8"	2 3/8"	10
SMF12	12	15 1/8"	6"	6 1/8"	2 3/8"	12
SMF16	16	19 1/8"	6 1/2"	6 1/8"	2 3/8"	16
SMF18	18	21 1/8"	12 1/2"	5 3/4"	3"	18
SMF20	20	23 1/8"	12 1/8"	5 3/4"	3"	20
SMF24	24	27 1/8"	13 5/8"	5 3/4"	3"	24
SMF30	30	33 1/8"	13 1/8"	5 3/4"	3"	30
SMF36	36	39 1/8"	13 1/8"	5 3/4"	3"	36

**LIMITED WARRANTY** Acme Engineering and Manufacturing Corporation extends this limited warranty to the original purchaser and warrants that products described herein shall be free from original defects in workmanship and materials for two years from date of shipment (except for Acme's exclusive duplex split pillow block bearings and shaft 5 years from shipment, belts one year from shipment, and polyethylene tubing at 90 days from shipping), provided same have been properly handled, stored, installed, serviced, maintained and operated. Refer to Form MS149 for complete limited warranty terms and conditions. This form is available to anyone at [www.acmefan.com](http://www.acmefan.com). The Company's warranty is in lieu of all other warranties, express or implied, arising by law or otherwise, including without limitation the implied warranties of merchantability and fitness for a particular purpose, which are hereby expressly disclaimed and waived.

Acme products are designed and manufactured to provide reliable performance but they are not guaranteed to be 100% free of defects. Even reliable products will experience occasional failures and this possibility should be recognized by the Purchaser and End User. If these products are used in a life support ventilation system where failure could result in loss or injury, the Purchaser and End User should provide adequate back-up ventilation, supplementary natural ventilation or failure alarm system, or acknowledge willingness to accept the risk of such loss or injury.

**WARNING** DO NOT use in HAZARDOUS ENVIRONMENTS where fan's electrical system could provide ignition to combustible or flammable materials unless unit is specifically built for hazardous environments. Comply with all local and national safety codes including the National Electrical Code (NEC) and National Fire Protection Act (NFPA). Guards must be installed when fan is

within reach of personnel or within eight (8) feet (2.5 m) of working level or when deemed advisable for safety.

**DISCLAIMER** The Company has made a diligent effort to illustrate and describe the products in this literature accurately; however, such illustrations and descriptions are for the sole purpose of identification, and do not express or imply a warranty that the products are merchantable, or fit for a particular purpose.

**INDEMNITY** Purchaser acknowledges various warnings by the Company regarding the products and its installation and use. If the Company incurs any claims, lawsuits, settlements, or expenses (including attorney fees) for any loss, injury, death or property damage including, but not limited to, claims arising out of the Purchaser's or any end user's installation or use of the products, the Purchaser shall indemnify and hold the Company harmless.