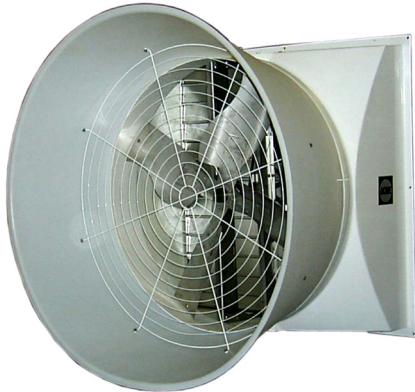




ACME ENGINEERING & MANUFACTURING CORP.
 P.O. Box 978, Muskogee, OK 74402
 Phone: 918/682-7791 Fax: 800/382-2263
 AcmeFan.com

FORM B73N
May 2018



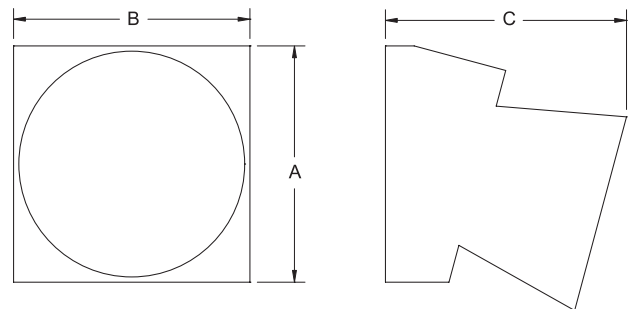
Model DDPG Galvanized and Model DDPS Stainless Steel

Combining the technology of the most efficient fans designed for agriculture and horticulture and the corrosion resistance of plastics, the DDPG and DDPS perform in the toughest environments.

FEATURES

- **Housing** - Heavy gauge plastic and fiberglass provides strength and corrosion resistance while being easy to clean and mount. 14" thru 24" fans have plastic housing and diffuser. 36" thru 54" fans have fiberglass housing and plastic diffuser. The slant design on DDPG and DDPS models improves performance and assists run-off condensation.
- **Propeller** - Direct drive DDPS fan sizes 14" thru 36" feature stainless steel cambered twist blades riveted through the center eliminating stress. Belt drive DDPS 36" fans are available with either stainless steel or galvanized propellers.
- **Motor** - High efficiency motors are totally enclosed with shielded ball bearings for protection from the environment.
- **Frame** - Stainless steel provides a strong vertical support that aligns the propeller centered in the orifice for maximum performance.
- **Front Guard** - Heavy gauge and coated to prevent corrosion.
- **Shutter** - Unique design lowers resistance with preventing back drafts. Available in aluminum or plastic.
- **Air Diffuser** - Originally designed and introduced by Acme in 1979 in the Master-Ex line. Published performance for DDP and DDPS includes diffuser for accurate data - not estimated percentages.
- **Variable Speed** - All direct drive fans through size 36" (except Model DDPS36IG8-C) are suitable for variable speed with the proper controller.

DDPG and DDPS FRAMING DIMENSIONS						
FAN SIZE	A		B		C	
	IN	MM	IN	MM	IN	MM
DDP14	19 1/4	489	18 1/4	464	30 3/4	783
DDP18	25 1/2	648	24	610	34 1/2	875
DDP24	32	813	30 1/2	775	39 3/4	1011
DDP36	46 1/4	1175	43 1/4	1099	48 1/3	1228
DDPV50	53	1346	53	1346	44 1/2	1130
DDPV54	56 1/2	1435	56 1/2	1435	48 1/2	1232



Every Acme Fan is backed by a full 2-year comprehensive product warranty. For a complete copy of the warranty statement, see form MS149 or write to Acme Engineering & Manufacturing Corp., P.O. Box 978, Muskogee, OK 74402.



In addition to Acme's standard 2-year comprehensive warranty, Acme offers a 5-year warranty on the shaft and bearing assembly in every Acme Fan.



Acme's corrosion resistant DDP fans offer an additional lifetime warranty on the stainless steel propeller, cone and housing.

DDPG AND DDPS PERFORMANCE DATA

SINGLE PHASE

MODEL	HP	CFM VS. STATIC PRESSURE (INCHES WG)											
		0.00"			0.05"			0.10"			0.15"		
		CFM	RPM	C/W	CFM	RPM	C/W	CFM	RPM	C/W	CFM	RPM	C/W
◆DDPS14B4-C	1/10	1720	1593	12.5	1620	1580	11.4	1500	1566	10.2	1280	1554	8.5
◆DDPS14D4-C	1/5	2150	1642	9.2	2020	1638	8.5	1840	1635	7.7	770	1653	3.5
◆DDPS18B4-C	1/10	2720	1478	16.3	2430	1449	13.9	2060	1412	11.3	1590	1374	8.4
◆DDPS18F4-C	1/3	4180	1638	11	4000	1632	10.4	3810	1625	9.7	3610	1617	9.1
◆DDPS24G6-C	1/2	7360	1097	14.4	6900	1091	13	6500	1086	12	6070	1080	10.8
◆DDPS36G8-C	1/2	11090	853	22.6	10260	846	19.4	9460	840	17	8570	833	14.4
◆DDPS361G8-C	1/2	11540	864	23.9	10780	861	21	9990	855	18.5	9340	852	16.4
DDPS36G-C	1/2	13000	638	23.1	12410	636	20.8	11860	636	19.2	11180	635	17.4
DDPSV50J1-C	1	25900	481	24.4	24600	479	21.7	23400	477	19.7	22000	475	17.7
DDPSV50J-C	1	25300	463	24.9	23800	461	22	22600	449	20	20800	457	17.7
DDPSV50J3-C	1	25200	468	25.3	23900	468	22.9	22700	466	20.5	21200	465	18.5
DDPSV50J3L-C	1	21600	397	32.7	20100	397	28.3	18400	396	24.5	16200	396	20.8
DDPSV50JL-C	1	21400	389	31.7	19600	388	27.4	17900	387	24	15600	386	20.1
DDPSV50K-C	1 ½	27500	516	20.8	26500	516	18.9	25300	515	17.3	24000	514	15.8
DDPGV50J1-C	1	25700	480	23.5	24700	479	21.5	23500	477	19.5	22100	476	17.7
DDPGV50J-C	1	25300	460	22.3	24091	458	20.2	22942	457	18.5	21665	456	16.9
DDPGV50J3-C	1	25100	468	24.2	23900	467	21.9	22700	466	19.8	21400	465	18.1
DDPGV50J3L-C	1	21400	398	31	20100	396	27.7	18600	395	24.2	16600	395	20.9
DDPGV50JL-C	1	21300	382	30.3	19700	378	26.5	18000	378	23.3	15700	377	19.9
DDPGV50K-C	1 ½	27400	515	19.8	26400	514	18.1	25300	513	16.7	24200	512	15.4
DDPGV54J-C	1	27781	433	27.2	26298	431	23.9	24492	430	20.8	22185	427	17.7
DDPGV54K-C	1 ½	30537	481	23	29389	480	20.9	27911	479	18.9	26211	478	16.8

THREE PHASE

DDPSV50J-C	1	25200	463	26.2	23900	462	23.4	22400	460	21	20800	459	18.9
DDPSV50JL-C	1	21200	387	33.5	19700	386	29.5	17800	385	25.6	15400	383	21.1
DDPSV50K-C	1 ½	27000	502	22.1	26000	501	20.2	24700	500	18.5	23300	498	16.8
DDPGV50J-C	1	25300	458	24.3	24100	458	22	22800	457	20.1	21400	457	18.3
DDPGV50JL-C	1	21200	382	31.4	19800	383	27.8	18200	381	24.4	15700	380	20.8
DDPGV50K-C	1 ½	27200	497	20.3	26100	496	18.9	25000	495	17.4	23700	494	16
DDPGV54J-C	1	27464	428	27.5	26019	427	24.4	24103	425	21.1	22018	423	18.3
DDPGV54K-C	1 ½	30615	481	22.2	29418	480	20.3	27913	478	18.3	26210	477	16.4

◆Direct Drive Fans

Performance shown is from test performed at Bess Labs for all DDPG and DDPS fans except for DDPV50 size.

Performance shown is for 14" through 50" units with aluminum shutter, diffuser and outlet guard.

**RPM shown is nominal and the performance shown is based on actual speed of test.

(C/W) CFM per Watt ratings shown are in accordance with the AMCA Recommended Method of Publishing CFM per Watts Ratings and were derived by using the actual motor horsepower at given static pressure.

WARNING! DO NOT use in **HAZARDOUS ENVIRONMENTS**

where fan's electrical system could provide ignition to combustible or flammable materials unless unit is specifically built for hazardous environments.

CAUTION! Guards are strongly recommended when the fan is installed within eight (8) feet (2.5 m) of the floor, working level or within reach of personnel. Guards complying with OSHA regulations are available as optional equipment. Review OSHA Codes and obtain a quotation.

Refer to Form MS149 for complete limited warranty terms and conditions.

ACCESSORIES: These optional accessories are available to assist and enhance installation, adapt for a particular application and maintain highly efficient operation.

ALUMINUM SHUTTERS



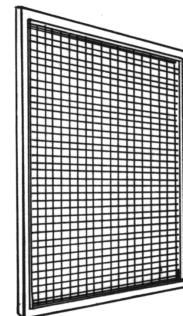
- All Aluminum Construction
- Counter Balanced Blades
- Nylon Bearing
- Stainless Steel Hinge Pins
- Low Air Resistance
- Reduces Sticking in Dusty and Moist Conditions

PLASTIC SHUTTERS



- All Plastic Construction
- Corrosion Resistant
- Constructed of U.V. Stabilized PVC
- Nylon Pivot Points

GS INLET GUARD



- Heavy Gauge Galvanized ½" x 1" Mesh
- Aluminum Frame
- Complies with OSHA Regulations



ACME ENGINEERING & MANUFACTURING CORP.
 P.O. Box 978, Muskogee, OK 74402
 Phone: 918/682-7791 • Fax: 800/382-2263
 AcmeFan.com

Est. 1938